



SHOP NOW

RFQ

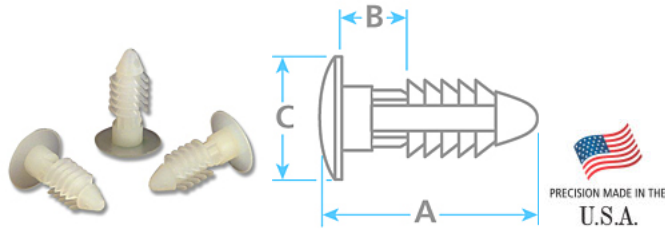
## Press Lock Rivets

Build Your Own

Download PDF

Press-Lock Rivets are a one-piece molded "rivet" to be used in conjunction with either Standard Nylon Lanyards or U-Lock Nylon Lanyards. Insert through eyelet end of Lanyard and press into threaded, non-threaded, drilled or punched holes. Ribs deflect upon insertion and spring back for a secure lock. Made from 6/6 nylon in natural color.

Sold in 1,000 piece bags. Pricing is per bag.



Our Exclusive Fastener Innovations ▶

Need a Custom Solution? Learn More ▶



CATEGORY BROWSE

Home > Lanyards > Press Lock Rivets

- Home
- Lanyards
- Press Lock Rivets**

NARROW RESULTS

Search within these results

Size

- 1/4 x 5/8 (1)
- 1/4 x 3/4 (1)

Required Hole Size [in]

- 0.250 (2)

A [in]

- 5/8 (1)
- 3/4 (1)

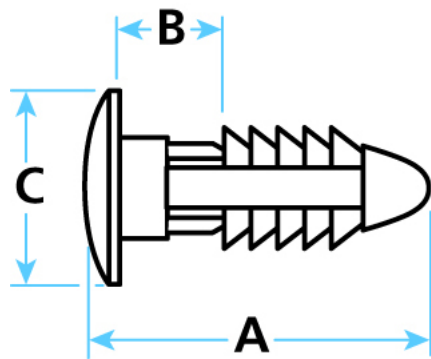
B [in]

- 0.125 (1)
- 0.250 (1)

C [in]

- .500 (2)

### Press Lock Rivets



1-2 of 2 Products



Sort by:

Compare

**PL-250-10**



Size [in]: 1/4 x 5/8  
 C [in]: .500  
 Approximate Weight/Pounds per 100 Pieces: 0.102

A [in]: 5/8  
 Material: Super Tough Nylon  
 Required Hole Size [in]: 0.250

B [in]: 0.125  
 List Price: \$96.80

Compare

**PL-250-12**



Size [in]: 1/4 x 3/4  
 C [in]: .500  
 Approximate Weight/Pounds per 100 Pieces: 0.126

A [in]: 3/4  
 Material: Super Tough Nylon  
 Required Hole Size [in]: 0.250

B [in]: 0.250  
 List Price: \$113.60

Compare

Power Grid Search

## CONTACT US

---

Pivot Point Inc.  
761 Industrial Lane  
PO BOX 488  
Hustisford, WI 53034  
Toll Free (800) 222-2231  
Ph (920) 349-3251  
Fax (920) 349-3253

## INDUSTRIES SERVED

---

Military & Defense  
Aerospace  
Agricultural  
Machine building  
Automation  
Transportation  
Material Handling  
Medical  
Consumer Products  
& MORE!

## DISTRIBUTORS

---

WE ARE SEEKING  
WORLDWIDE DISTRIBUTORS

For AUS/NZ Customers

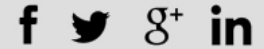


For UK Customers



## GET SOCIAL

---



## ABOUT US

---

ISO CERTIFIED  
Version 9001:2008  
Certificate # C0236776-ISI