



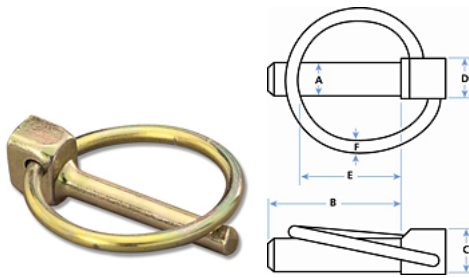
Lynch Pins

Build Your Own

Download PDF

Lynch Pins- also known as Linch Pins, 3 point hitch pins, Quick Pins, Click Pins and Snapper Pins- are made from low carbon steel, and plated zinc with a yellow chromate dip for added corrosion protection. Steel Lanyards or Nylon Lanyards may be added as a low cost tether to prevent Lynch Pin loss. These quick locking pins do not require cotter pins and are faster to use than clevis pins and cotters.

The ring is made from hard drawn MB spring wire. Lynch Pins feature an "over center" ring loop attached to the head which snaps down hard to hold the fastener in place. A special Lynch Pin with a heavy duty ring is also available for extreme applications- see Stock Code HANG-8HD.



Our Exclusive Fastener Innovations ▶

Need a Custom Solution? Learn More ▶



PRODUCT DEMO VIDEOS Watch Now ▶



VIEW CATALOG View Our Full-Length Pivot Point Inc. Print Catalog. ▶

CATEGORY BROWSE

Home > Pins, Cotter, Rings > Lynch Pins

- Home
- Pins, Cotter, Rings
- Lynch Pins**

NARROW RESULTS

- Search within these results GO
- Pin Diameter - A [in]

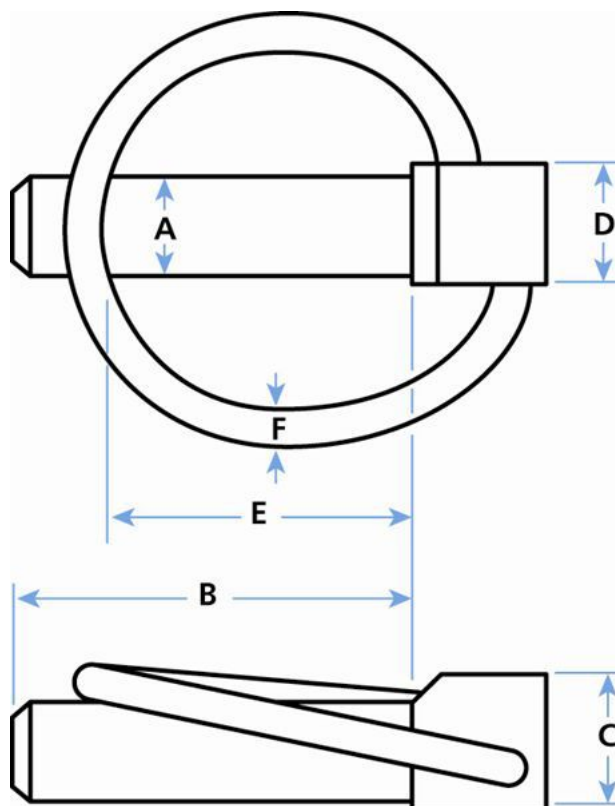
 - 3/16 (2)
 - 1/4 (1)
 - 5/16 (1)
 - 7/16 (3)
 - Shank Length - B [in]

 - 1 1/4 (1)
 - 1 9/16 (1)
 - 1 3/4 (3)
 - 1 31/32 (2)
 - Head Height - C [in]

 - 1/2 (4)
 - 9/16 (1)
 - 19/32 (2)
 - Head Width - D [in]

 - 7/32 (1)
 - 9/32 (1)
 - 11/32 (3)
 - 1/2 (2)
 - Capture Length - E [in]

Lynch Pins



1-7 of 7 Products



Sort by: Default ▼

Compare

- 1 1/16 (1)
- 1 5/16 (2)
- 1 23/64 (1)
- 1 3/8 (1)
- 1 17/32 (1)
- 1 11/16 (1)

Power Grid Search

HANG-1



Pin Diameter - A [in]: 3/16
Head Width - D [in]: 11/32
Material: Low Carbon Steel
Approximate Weight/Pounds per 100 Pieces: 3.4

Shank Length - B [in]: 1 1/4
Capture Length - E [in]: 1 1/16
Finish: Zinc with Yellow Chromate

Head Height - C [in]: 1/2
Wire Diameter - F [in]: 0.118
List Price: \$0.8611

Compare

HANG-2



Pin Diameter - A [in]: 3/16
Head Width - D [in]: 11/32
Material: Low Carbon Steel
Approximate Weight/Pounds per 100 Pieces: 4.4

Shank Length - B [in]: 1 9/16
Capture Length - E [in]: 1 5/16
Finish: Zinc with Yellow Chromate

Head Height - C [in]: 1/2
Wire Diameter - F [in]: 0.138
List Price: \$0.8715

Compare

HANG-4



Pin Diameter - A [in]: 1/4
Head Width - D [in]: 9/32
Material: Low Carbon Steel
Approximate Weight/Pounds per 100 Pieces: 5.5

Shank Length - B [in]: 1 3/4
Capture Length - E [in]: 1 5/16
Finish: Zinc with Yellow Chromate

Head Height - C [in]: 1/2
Wire Diameter - F [in]: 0.138
List Price: \$0.8871

Compare

HANG-6



Pin Diameter - A [in]: 5/16
Head Width - D [in]: 11/32
Material: Low Carbon Steel
Approximate Weight/Pounds per 100 Pieces: 7.0

Shank Length - B [in]: 1 3/4
Capture Length - E [in]: 1 3/8
Finish: Zinc with Yellow Chromate

Head Height - C [in]: 1/2
Wire Diameter - F [in]: 0.138
List Price: \$0.9915

Compare

HANG-8



Pin Diameter - A [in]: 7/16
Head Width - D [in]: 7/32
Material: Low Carbon Steel
Approximate Weight/Pounds per 100 Pieces: 10.8

Shank Length - B [in]: 1 3/4
Capture Length - E [in]: 1 23/64
Finish: Zinc with Yellow Chromate

Head Height - C [in]: 9/16
Wire Diameter - F [in]: 0.138
List Price: \$1.46

Compare

HANG-8L



Pin Diameter - A [in]: 7/16
Head Width - D [in]: 1/2
Material: Low Carbon Steel
Approximate Weight/Pounds per 100 Pieces: 12.0

Shank Length - B [in]: 1 31/32
Capture Length - E [in]: 1 11/16
Finish: Zinc with Yellow Chromate

Head Height - C [in]: 19/32
Wire Diameter - F [in]: 0.138
List Price: \$1.41

Compare

HANG-8HD



Pin Diameter - A [in]: 7/16
Head Width - D [in]: 1/2
Material: Low Carbon Steel
Approximate Weight/Pounds per 100 Pieces: 14.2

Shank Length - B [in]: 1 31/32
Capture Length - E [in]: 1 17/32
Finish: Zinc Plated Pin with Clear Chromate (Bright)
Ring Finish: Black Oxide Ring

Head Height - C [in]: 19/32
Wire Diameter - F [in]: 0.197
List Price: \$1.64

Compare

CONTACT US

Pivot Point Inc.
 761 Industrial Lane
 PO BOX 488
 Hustisford, WI 53034
 Toll Free (800) 222-2231
 Ph (920) 349-3251
 Fax (920) 349-3253

INDUSTRIES SERVED

Military & Defense
 Aerospace
 Agricultural
 Machine building
 Automation
 Transportation
 Material Handling
 Medical
 Consumer Products
 & MORE!

DISTRIBUTORS

WE ARE SEEKING
 WORLDWIDE DISTRIBUTORS

For AUS/NZ Customers



For UK Customers



GET SOCIAL



ABOUT US

ISO CERTIFIED
 Version 9001:2008
 Certificate # C0236776-ISI

