

Ball Lock Pins (Key-Locking Style)

Build Your Own

Download PDF

Request Information / Quote

Ball Lock Pins are a very secure quick-release pin. They have a push button that initiates ball action and retraction, and can only be released by pushing the button. Ball Lock Pin design combines secure fastening with quick release ease of removal. [Steel Lanyards](#) or [Nylon Lanyards](#) may be added as a low cost tether to prevent loss

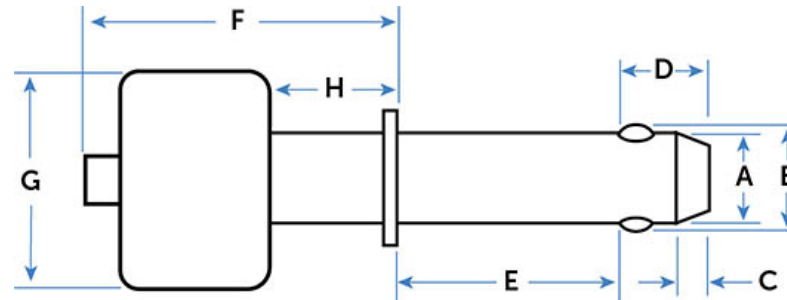
Our "Key-Locking Style" features a barrel and locking mechanism. Use the supplied keys to lock the pin so that it cannot be removed unless unlocked. Other Ball Lock Pin styles include our [T-Handle Style](#) and our [Standard Version](#) - a simplified style that is less expensive and gets the job done!

Pivot Point's Ball Lock Pin design features both a one-piece, cold formed body and one-piece spindle for increased durability.

Ball lock pins are also known as positive lock pins, ball pins, double ball detent pins, push button pins, quick release pins, quick pins and hitch pins.

Stocked in heat treated alloy steel for strength and durability. Standard finish is Zinc with yellow Chromate. Other finishes available.

NEW! Added Security Options



CATEGORY BROWSE

- Home
- Pins, Cotter, Rings
- Ball Lock Pins
- Key-Locking Ball Lock Pins**

Home > Pins, Cotter, Rings > Ball Lock Pins > Key-Locking Ball Lock Pins

Key-Locking Ball Lock Pins

1-28 of 28 Products



Sort by: Default

Compare

NARROW RESULTS

Product

[Build Your Own - 1/4" Shank Diameter](#)

Basic Shank Diameter [in]

1/4

Effective Length - E [in]

| Basic Shank Diameter [in] | Effective Length - E [in] | Product | Shank Diameter | Effective Length |
|-----------------------------------|------------------------------------|---|----------------|------------------|
| <input type="checkbox"/> 1/4 (6) | <input type="checkbox"/> 1/2 (1) | Build Your Own - 5/16" Shank Diameter | 5/16 | |
| <input type="checkbox"/> 5/16 (6) | <input type="checkbox"/> 3/4 (1) | Build Your Own - 3/8" Shank Diameter | 3/8 | |
| <input type="checkbox"/> 3/8 (8) | <input type="checkbox"/> 1 (4) | Build Your Own - 1/2" Shank Diameter | 1/2 | |
| <input type="checkbox"/> 1/2 (8) | <input type="checkbox"/> 1 1/4 (3) | PLK4-500 | 1/4 | 1/2 |
| | <input type="checkbox"/> 1 1/2 (4) | PLK4-750 | 1/4 | 3/4 |
| | <input type="checkbox"/> 1 3/4 (3) | PLK4-1000 | 1/4 | 1 |
| | <input type="checkbox"/> 2 (3) | PLK4-1250 | 1/4 | 1 1/4 |
| | <input type="checkbox"/> 2 1/4 (1) | PLK4-1500 | 1/4 | 1 1/2 |
| | | PLK5-1000 | 5/16 | 1 |
| | | PLK5-1250 | 5/16 | 1 1/4 |
| | | PLK5-1500 | 5/16 | 1 1/2 |
| | | PLK5-1750 | 5/16 | 1 3/4 |
| | | PLK5-2000 | 5/16 | 2 |
| | | PLK6-1000 | 3/8 | 1 |
| | | PLK6-1250 | 3/8 | 1 1/4 |
| | | PLK6-1500 | 3/8 | 1 1/2 |
| | | PLK6-1750 | 3/8 | 1 3/4 |
| | | PLK6-2000 | 3/8 | 2 |
| | | PLK6-2250 | 3/8 | 2 1/4 |
| | | PLK6-2500 | 3/8 | 2 1/2 |
| | | PLK8-1000 | 1/2 | 1 |
| | | PLK8-1500 | 1/2 | 1 1/2 |
| | | PLK8-1750 | 1/2 | 1 3/4 |
| | | PLK8-2000 | 1/2 | 2 |
| | | PLK8-2500 | 1/2 | 2 1/2 |
| | | PLK8-3000 | 1/2 | 3 |
| | | PLK8-3500 | 1/2 | 3 1/2 |

CONTACT US

Pivot Point Inc.
 761 Industrial Lane
 PO BOX 488
 Hustisford, WI 53034
 Toll Free (800) 222-2231
 Ph (920) 349-3251
 Fax (920) 349-3253

INDUSTRIES SERVED

Military & Defense
 Aerospace
 Agricultural
 Machine building
 Automation
 Transportation
 Material Handling

DISTRIBUTORS

For AUS/NZ, UK, France,
 Spain & Belgium customers



GET SOCIAL



ABOUT US

Medical
Consumer Products
& MORE!

WE ARE SEEKING ADDITIONAL
WORLDWIDE DISTRIBUTORS

ISO CERTIFIED
Version 9001:2008
Certificate # C0236776-ISI

Copyright © 2016 Pivot Point, Inc. All Rights Reserved

[Technical Information](#) | [Patents](#) | [Employment](#) | [Terms and Conditions](#) | [Privacy](#)
[Catalog Index](#) | [Site Map](#) | [Site: Marketing Metrics Corp](#)