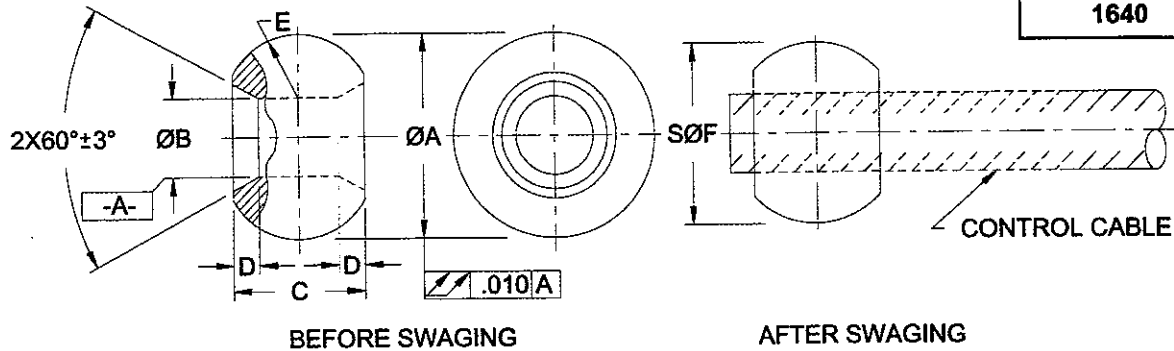




FED SUP CLASS
1640



NAS NO.	CABLE DIA (REF)	MBS (LBS) (a)	ØA	ØB	C	D	E	F SPHERICAL Ø
494-1	.031	88	.211 .208	.048 .045	.141 .137	.026 .016	.083 .073	.1905 .1875
494-1.5	.047	215	.211 .208	.057 .053	.141 .137	.026 .016	.083 .073	.1905 .1875
494-2	.063	385	.211 .208	.076 .073	.141 .137	.026 .016	.083 .073	.1905 .1875
494-3	.094	735	.288 .284	.106 .102	.174 .170	.041 .031	.099 .089	.253 .250
494-4	.125	1200	.355 .351	.143 .139	.190 .184	.041 .031	.142 .132	.317 .312
494-5	.156	1680	.429 .425	.175 .171	.227 .222	.041 .031	.170 .160	.380 .375
494-6	.188	2520	.498 .493	.207 .203	.264 .259	.041 .031	.197 .187	.442 .437

(a) MINIMUM BREAKING STRENGTH (MBS) OF -1 THROUGH -3 TERMINALS IS 80 PERCENT OF FLEXIBLE CARBON STEEL CABLE (WIRE ROPE) CONFORMING TO MIL-DTL-83420, TYPE I, COMPOSITION A. MBS OF -4 THROUGH -6 TERMINALS ARE RATED AT 60 PERCENT OF THE FLEXIBLE CARBON STEEL CABLE (WIRE ROPE) STRENGTH.

MATERIAL: CORROSION-RESISTING STEEL PER PROCUREMENT SPECIFICATION.

HEAT TREATMENT: BRIGHT ANNEAL AFTER MACHINING. SLIGHT DISCOLORATION DUE TO ANNEALING SHALL NOT BE CAUSE FOR REJECTION.

FINISH: PER PROCUREMENT SPECIFICATION.

NOTES:

- 1) NOT TO BE USED IN STRUCTURAL CABLE INSTALLATIONS OR PRIMARY SURFACE CONTROL SYSTEMS.
- 2) THESE TERMINALS ARE INTENDED FOR USE ON SECONDARY CONTROL SYSTEMS SUCH AS SWITCH OR MECHANISM ACTUATION, TRIM TAB CONTROL, ETC.
- 3) DIMENSIONS ARE IN INCHES.
- 4) QPL-781 IS NOT APPLICABLE.

PROCUREMENT SPECIFICATION: MIL-DTL-781, EXCEPT DISTORTION TEST SHALL NOT APPLY.

2 COMPLETELY REVISED

CUSTODIAN NATIONAL AEROSPACE STANDARDS COMMITTEE		THIRD ANGLE PROJECTION
PROCUREMENT SPECIFICATION NOTED	TITLE TERMINAL - BALL TYPE CABLE	CLASSIFICATION PART STANDARD NAS494

USE OF OR RELIANCE UPON THIS DOCUMENT OR ANY NATIONAL AEROSPACE STANDARD IS ENTIRELY VOLUNTARY. AIA DOES NOT QUALIFY SUPPLIERS OR CERTIFY CONFORMANCE OF ITEMS PRODUCED UNDER NATIONAL AEROSPACE STANDARDS. AIA MAKES NO REPRESENTATION OR CLAIM RESPECTING (1) THE SUITABILITY OF